

PARATHOM PAR16 50 120° 4.3 W/827 GU10

PARATHOM PAR16 | LED reflector lamps PAR16 with retrofit pin base



Areas of application

- Spot lighting for accents
- Display cabinets and shop windows
- Retail outlets and exhibition rooms
- Spot lighting heat-sensitive objects such as food, plants, etc.
- Outdoor applications only in suitable luminaires
- Directional light sources
- Hospitality
- Shops

Product benefits

- Excellent price/performance ratio
- Very low energy consumption
- Extremely long life
- Robust against vibrations
- No UV and near-IR radiation in the light beam
- Professional thermal management
- Efficient generation of white light
- Alternative to line-voltage halogen lamps
- Ideal for economical spot lighting

Product features

- Professional LED lamps for line voltage
- Not dimmable
- Good color rendering ($R_a \geq 80$) and color stability throughout the life of the lamp
- Base: GU10
- Lifetime: up to 15,000 h



Product datasheet

- Mercury-free lamps
- High color consistency

Technical data

Electrical data

Rated wattage	4.30 W
Nominal wattage	4.30 W
Nominal voltage	220...240 V
Claimed equiv. conventional lamp power	50 W
Operating frequency	50...60 Hz
Power factor λ	0.58

Photometrical data

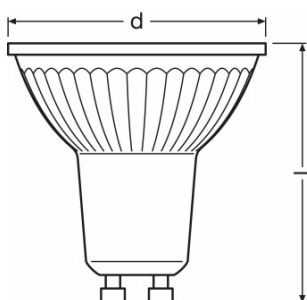
Luminous intensity	130 cd
Nominal luminous flux	350 lm
Rated luminous flux	350 lm
Color temperature	2700 K
Color rendering index Ra	≥ 80
Light color (designation)	Warm White
Standard deviation of color matching	≤ 6 sdc _m
Nominal useful luminous flux 90°	350 lm
Rated useful luminous flux 90°	350 lm
Rated peak intensity	120 cd

Light technical data

Beam angle	120 °
Warm-up time (60 %)	1.00 s
Starting time	0.0 s
Nominal beam angle	120 °
Rated beam angle (half peak value)	120.00 °

Product datasheet

Dimensions & weight



Overall length	55.0 mm
Diameter	51.0 mm
Outer bulb	PAR51
Length	55.0 mm
Maximum diameter	51.0 mm

Lifespan

Nominal lamp life time	15000 h
Rated lamp life time	15000 h
Number of switching cycles	100000
Lumen main.fact.at end of nom.life time	0.70

Additional product data

Base (standard designation)	GU10
Mercury content	0.0 mg
Mercury-free	Yes
Appropriate disposal acc. to WEEE	Yes
Product remark	All technical parameters apply to the entire lamp/Due to the complex production process for light-emitting diodes, the typical values shown for the technical LED parameters are purely statistical values that do not necessarily match the actual technical parameters of each individual product, which can vary from the typical value

Capabilities

Dimmable	No
-----------------	----

Certificates & standards

Product datasheet

Energy efficiency class	A+
Energy consumption	5 kWh/1000h

Country specific categorizations

ILCOS	DRPAR-4,3/827-220-240-GU10-50/36
Order reference	PPAR16501204,3W

Logistical Data

Product code	Product description	Packaging unit (Pieces/Unit)	Dimensions (length x width x height)	Volume	Gross weight
4052899958111	PARATHOM PAR16 50 120° 4.3 W/827 GU10	Shipping carton box 10	257 mm x 110 mm x 70 mm	1.98 dm ³	545.00 g

The mentioned product code describes the smallest quantity unit which can be ordered. One shipping unit can contain one or more single products. When placing an order, for the quantity please enter single or multiples of a shipping unit.

References / Links

For further products and actual information concerning LED lamps see

▶ www.ledvance.com/ledlamps

For Guarantee see

▶ www.ledvance.com/guarantee

Disclaimer

Subject to change without notice. Errors and omission excepted. Always make sure to use the most recent release.