

PRODUCT DATASHEET

O FACADE SPOT 8 W 3000 K IP54 GY

OUTDOOR FACADE SPOT | Luminaires with rotatable head and directional light



AREAS OF APPLICATION

- Outdoor
- Building facades
- Entrance lighting
- Gardens, balconies and other outdoor areas

PRODUCT BENEFITS

- Energy-efficient thanks to LED technology
- 5 years guarantee
- Easy and quick installation
- Homogeneous light output

PRODUCT FEATURES

- Bright and functional outdoor LED luminaires
- Type of protection: IP54
- Die-cast aluminum housing
- Adjustable modules: rotation angle 320°
- Diffuser made of opal polycarbonate
- Available in two housing colors: white and dark gray



TECHNICAL DATA

Electrical data

Operating mode	Mains voltage
Mains frequency	50/60 Hz
Power factor λ	>0.5
Nominal wattage	8.00 W
Nominal voltage	220...240 V
Nominal current	0.066 A

Luminaire control gear data

Max. no. of lum. on circuit break. B16 A	35
Max. no. of lum. on circuit break. C10 A	45
Max. no. of lum. on circuit break. C16 A	28

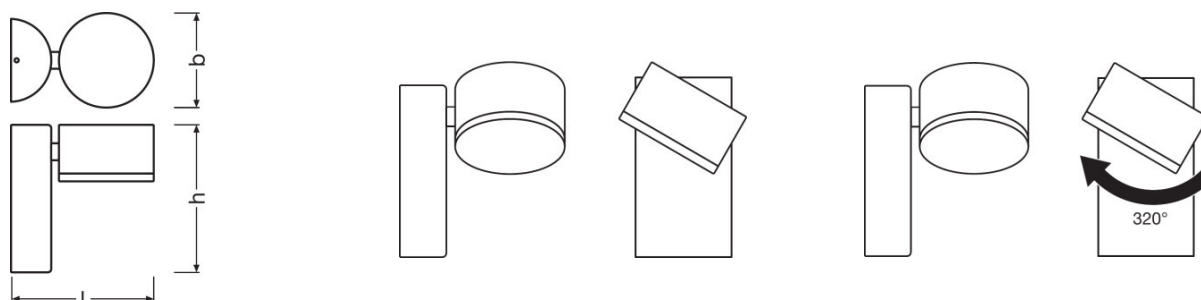
Photometrical data

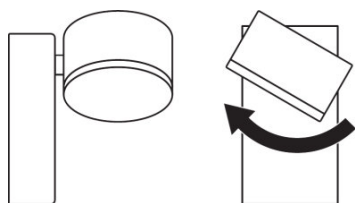
Color temperature	3000 K
Luminous efficacy	55 lm/W
Luminous flux	440 lm
Light color (designation)	Warm White
Color rendering index Ra	≥ 80
Standard deviation of color matching	<6 sdcM

Light technical data

Beam angle	110 °
-------------------	-------

Dimensions & weight





Length	135.0 mm
Width	90.0 mm
Height	140.0 mm
Product weight	600.00 g

Colors & materials

Housing color	Gray
Product color	Gray
Body material	Aluminum
Cover material	Polycarbonate (PC)

Temperatures & operating conditions

Ambient temperature range	-20...+40 °C
----------------------------------	--------------

Lifespan

Number of switching cycles	15000
Lifespan L70/B50 at 25 °C	30000 h
Lifespan L80/B10 at 25 °C	- h
Lifespan L90/B10 at 25 °C	- h

Additional product data

Mounting type	Surface
Mounting location	Wall

Capabilities

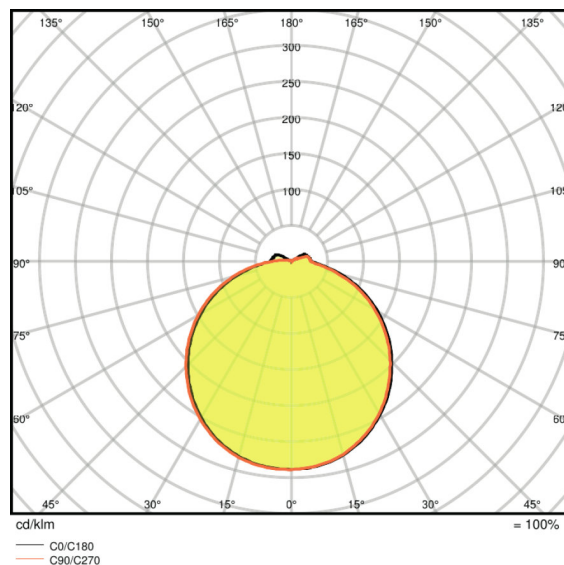
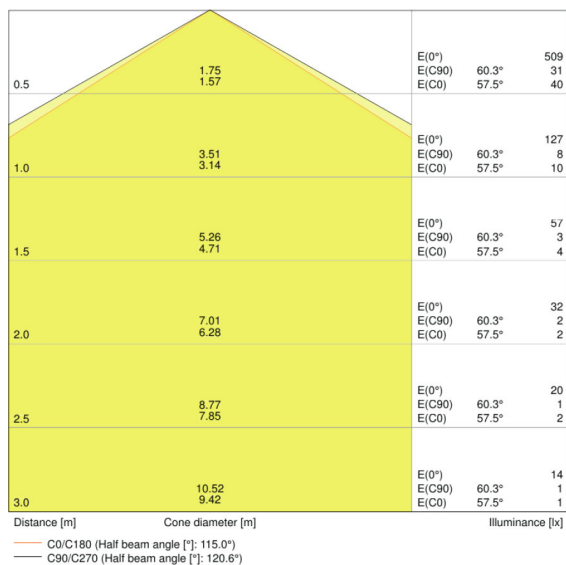
Dimmable	No
Type of connection	Screw terminal, 3-Pole
LED module replaceable	Not replaceable

Certificates & standards

Type of protection	IP54
---------------------------	------

Protection class	I
Protection class IK (shock resistance)	IK06
Glow Wire Test according to IEC 695-2-1	-
Photobio. safety group acc. to EN62471	RG 0
Standards	CE

Light Distribution



LDC typ cone

LDC typ polar

EQUIPMENT / ACCESSORIES

- Complete mounting and connecting accessories included

LOGISTICAL DATA

Product code	Packaging unit (Pieces/Unit)	Dimensions (length x width x height)	Gross weight	Volume
4058075074712	Folding carton box 1	124 mm x 154 mm x 166 mm	640.00 g	3.17 dm ³
4058075074729	Shipping carton box 6	385 mm x 170 mm x 355 mm	4072.00 g	23.23 dm ³

The mentioned product code describes the smallest quantity unit which can be ordered. One shipping unit can contain one or more single products. When placing an order, for the quantity please enter single or multiples of a shipping unit.

REFERENCES / LINKS

For Guarantee see

▶ www.ledvance.com/guarantee

DISCLAIMER

Subject to change without notice. Errors and omission excepted. Always make sure to use the most recent release.