

# Product datasheet

## P PAR 16 80 120° 6.9 W/827 GU10

PARATHOM PAR16 | LED reflector lamps PAR16 with retrofit pin base



### Areas of application

- Shops
- Hospitality
- Museums, art galleries
- Residential interiors
- As a downlight for marking walkways, doors, stairs, etc.
- Spotlighting for accents
- Display cabinets and shop windows
- Spotlighting heat-sensitive objects such as food, plants, etc.
- Outdoor applications only in suitable luminaires

### Product family benefits

- Low energy consumption
- Easy replacement of halogen lamps due to compact full glass design and single optic
- Instant 100 % light, no warm-up time
- Ideal for economical spotlighting

### Product family features

- Professional LED alternative to high voltage halogen lamps
- Mercury-free lamps
- Made in Germany



### Technical data

#### Electrical data

Rated wattage	6.90 W
Nominal wattage	6.90 W
Nominal voltage	220...240 V
Claimed equiv. conventional lamp power	80 W
Operating frequency	50...60 Hz
Max. lamp no. on circuit break. 10 A (B)	59
Max. lamp no. on circuit break. 16 A (B)	97
Power factor $\lambda$	> 0.50

#### Photometrical data

Luminous intensity	180 cd
Nominal luminous flux	575 lm
Rated luminous flux	575 lm
Rated color temperature	2700 K
Color rendering index Ra	$\geq 80$
Light color (designation)	Warm White
Standard deviation of color matching	$\leq 6$ sdcn
Nominal useful luminous flux 90°	575 lm
Rated useful luminous flux 90°	575 lm
Rated peak intensity	210 cd
Lumen main.fact.at end of nom.life time	0.70

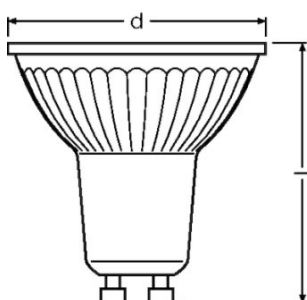
#### Light technical data

Beam angle	120 °
Warm-up time (60 %)	< 0.50 s
Nominal beam angle	120 °
Rated beam angle (half peak value)	120.00 °
Starting time	< 0.5 s

## Product datasheet

### Dimensions & weight

---



Overall length	55.0 mm
Diameter	51.0 mm
Outer bulb	PAR51
Length	55.0 mm
Maximum diameter	51.0 mm

### Lifespan

Nominal lamp life time	15000 h
Rated lamp life time	15000 h
Number of switching cycles	100000

### Additional product data

Base (standard designation)	GU10
Mercury content	0.0 mg
Mercury-free	Yes
Appropriate disposal acc. to WEEE	Yes
Product remark	All technical parameters apply to the entire lamp/Due to the complex production process for light-emitting diodes, the typical values shown for the technical LED parameters are purely statistical values that do not necessarily match the actual technical parameters of each individual product, which can vary from the typical value

### Capabilities

Dimmable	No
----------	----

### Certificates & standards

Energy efficiency class	A+
-------------------------	----

## Product datasheet

Energy consumption	7 kWh/1000h
--------------------	-------------

### Country specific categorizations

ILCOS	DRPAR-6,9/827-220-240-GU10-50/120
Order reference	LPPAR1680120 6,

### Logistical Data

Product code	Product description	Packaging unit (Pieces/Unit)	Dimensions (length x width x height)	Volume	Gross weight
4058075815872	P PAR 16 80 120° 6.9 W/827 GU10	Shipping carton box 10 Pieces Folding carton box	255 mm x 107 mm x 72 mm	1.96 dm <sup>3</sup>	551.40 g

The mentioned product code describes the smallest quantity unit which can be ordered. One shipping unit can contain one or more single products. When placing an order, for the quantity please enter single or multiples of a shipping unit.

### References / Links

For further products and actual information concerning LED lamps see

▶ [www.osram.com/ledlamps](http://www.osram.com/ledlamps)

For Guarantee see

▶ [www.osram.com/guarantee](http://www.osram.com/guarantee)

### Disclaimer

Subject to change without notice. Errors and omission excepted. Always make sure to use the most recent release.

OSRAM GMBH is distribution partner  
of LEDVANCE for Digital Lighting  
Systems and Components

**OSRAM**

OSRAM GmbH  
Marcel-Breuer-Strasse 6  
80807 Munich, Germany