



# Downlight DN060B

## DN060B LED8S/830 PSU WH

LED Module, system flux 800 lm - 830 warm white - Power supply unit - White

The LEDINAIRE range contains a selection of popular off-the-shelf LED luminaires that come with the high Philips quality levels at a competitive price. Reliable, energy-efficient and affordable – just what you need.

### Product data

| General Information           |   |
|-------------------------------|---|
| Lamp family code              | LED8S [ LED Module, system flux 800 lm] |
| Beam angle of light source    | 90 x 90 °                               |
| Light source color            | 830 warm white                          |
| Light source replaceable      | No                                      |
| Number of gear units          | 1 unit                                  |
| Gear                          | -                                       |
| Driver/power unit/transformer | Power supply unit                       |
| Driver included               | Yes                                     |
| Optic type                    | Symmetrical                             |
| Luminaire light beam spread   | 10°                                     |
| Connection                    | Push-in connector 2-pole                |
| Cable                         | -                                       |
| Protection class IEC          | Safety class I                          |
| Glow-wire test                | Temperature 650 °C, duration 5 s        |
| Flammability mark             | -                                       |
| CE mark                       | CE mark                                 |
| ENEC mark                     | -                                       |
| Warranty period               | 3 years                                 |

| Remarks                                  | *-Per Lighting Europe guidance paper "Evaluating performance of LED based luminaires - January 2018": statistically there is no relevant difference in lumen maintenance between B50 and for example B10. Therefore the median useful life (B50) value also represents the B10 value. |
|--|---|
| Constant light output                    | No  |
| Number of products on MCB of 16 A type B | 48  |
| RoHS mark                                | RoHS mark   |
| Operating and Electrical                 |   |
| Input Voltage                            | 220-240 V   |
| Input Frequency                          | 50 to 60 Hz   |
| Control signal voltage                   | -   |
| Inrush current                           | 11.3 A  |
| Inrush time                              | 0.001 ms  |
| Power Factor (Min)                       | 0.9   |

# Downlight DN060B

## Controls and Dimming

|          |    |
|----------|----|
| Dimmable | No |
|----------|----|

## Mechanical and Housing

|                             |                 |
|-----------------------------|-----------------|
| Housing Material            | Metal-Plastic   |
| Reflector material          | Steel           |
| Optic material              | Polycarbonate   |
| Optical cover/lens material | Polycarbonate   |
| Fixation material           | Stainless steel |
| Optical cover/lens finish   | Opal            |
| Overall height              | 100 mm          |
| Overall diameter            | 173 mm          |

## Approval and Application

|                              |                          |
|------------------------------|--------------------------|
| Ingress protection code      | IP20 [ Finger-protected] |
| Mech. impact protection code | IK02 [ 0.2 J standard]   |

## Initial Performance (IEC Compliant)

|                                     |                      |
|-------------------------------------|----------------------|
| Initial luminous flux (system flux) | 800 lm               |
| Luminous flux tolerance             | +/-10%               |
| Initial LED luminaire efficacy      | 89 lm/W              |
| Init. Corr. Color Temperature       | 3000 K               |
| Init. Color Rendering Index         | >80                  |
| Initial chromaticity                | (0.43, 0.40) SDCM <5 |
| Initial input power                 | 9 W                  |

|                             |        |
|-----------------------------|--------|
| Power consumption tolerance | +/-10% |
|-----------------------------|--------|

## Over Time Performance (IEC Compliant)

|   |       |
|---|-------|
| Control gear failure rate at median useful life 50000 h | 7.5 % |
| Lumen maintenance at median useful life* 50000 h        | L65   |

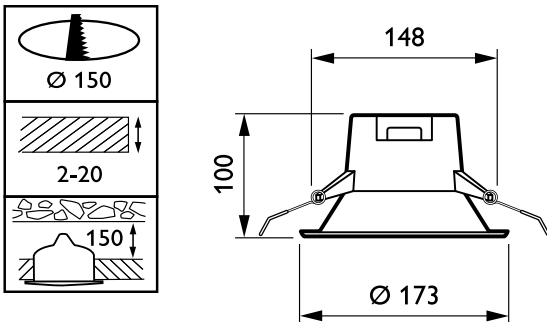
## Application Conditions

|                                    |                |
|------------------------------------|----------------|
| Ambient temperature range          | 0 to +35 °C    |
| Performance ambient temperature Tq | 25 °C          |
| Suitable for random switching      | Not applicable |

## Product Data

|                                 |                         |
|---------------------------------|-------------------------|
| Full product code               | 871016330662999         |
| Order product name              | DN060B LED8S/830 PSU WH |
| EAN/UPC - Product               | 8710163306629           |
| Order code                      | 911401532031            |
| Numerator - Quantity Per Pack   | 1                       |
| Numerator - Packs per outer box | 12                      |
| Material Nr. (12NC)             | 911401532031            |
| Net Weight (Piece)              | 0.350 kg                |

## Dimensional drawing



SmartBright LED DN060B-DN063B

## Downlight DN060B

