



Ledinaire Wall-mounted WL060V

WL060V LED11S/830 PSU II WH

830 warm white - Power supply unit - Safety class II - White

The Ledinaire range contains a selection of popular off-the-shelf LED luminaires, each of which come with the high Philips quality levels and competitive price. Reliable, energy-efficient and affordable – just what you need.

Product data

General Information	
Beam angle of light source	120 °
Light source color	830 warm white
Light source replaceable	No
Number of gear units	1 unit
Driver/power unit/transformer	Power supply unit
Driver included	Yes
Optic type	Beam angle 120°
Luminaire light beam spread	120°
Control interface	-
Connection	Push-in connector 3-pole
Cable	-
Protection class IEC	Safety class II
Glow-wire test	Temperature 650 °C, duration 30 s
Flammability mark	For mounting on normally flammable surfaces
CE mark	CE mark
ENEC mark	-
Warranty period	3 years

Remarks	*-Per Lighting Europe guidance paper "Evaluating performance of LED based luminaires - January 2018": statistically there is no relevant difference in lumen maintenance between B50 and for example B10. Therefore the median useful life (B50) value also represents the B10 value.
Constant light output	Yes
Number of products on MCB of 16 A type B	32
RoHS mark	RoHS mark

Operating and Electrical	
Input Voltage	220/240 V
Input Frequency	50 or 60 Hz
Initial CLO power consumption	14.5 W
Average CLO power consumption	14.5 W
Inrush current	12.3 A
Inrush time	1.44 ms

Ledinaire Wall-mounted WL060V

Power Factor (Min)	0.9
Controls and Dimming	
Dimmable	No
Mechanical and Housing	
Housing Material	Acrylonitrile-butadiene-styrene
Reflector material	-
Optic material	Polymethyl methacrylate
Optical cover/lens material	Polymethyl methacrylate
Fixation material	-
Optical cover/lens finish	Opal
Overall length	285 mm
Overall width	285 mm
Overall height	85 mm
Overall diameter	285 mm
Length	2.88 m
Width	300 mm
Height	85 mm
Diameter	285 mm
Approval and Application	
Ingress protection code	IP44 [Wire-protected, splash-proof]
Mech. impact protection code	IK03 [0.3 J]
Initial Performance (IEC Compliant)	
Initial luminous flux (system flux)	1100 lm
Luminous flux tolerance	+/-10%
Initial LED luminaire efficacy	88 lm/W
Init. Corr. Color Temperature	3000 K

Init. Color Rendering Index	80
Initial chromaticity	(0.44, 0.41) SDCM<5
Initial input power	12.5 W
Power consumption tolerance	+/-10%

Over Time Performance (IEC Compliant)

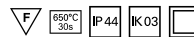
Control gear failure rate at median useful life 50000 h	7.5 %
Lumen maintenance at median useful life* 50000 h	L70

Application Conditions

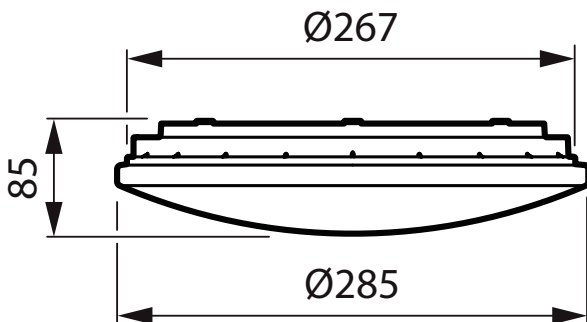
Ambient temperature range	-20 to +40 °C
Performance ambient temperature Tq	25 °C
Maximum dim level	Not applicable
Suitable for random switching	No

Product Data

Full product code	871869938231599
Order product name	WL060V LED11S/830 PSU II WH
EAN/UPC - Product	8718699382315
Order code	912401483073
Numerator - Quantity Per Pack	1
Numerator - Packs per outer box	6
Material Nr. (12NC)	912401483073
Net Weight (Piece)	0.400 kg



Dimensional drawing



Ledinaire Wall-mounted WL060V

Ledinaire Wall-mounted WLO60V

