



Technical Data

Compact RCBO Type A

Brief product description:

This Residual Current Circuit Breaker with Overload Protection provides superior protection for both people and circuits in a single module. The compact design clips onto standard 35mm DIN rail but the shorter body makes it easier to install in consumer units alongside other devices such as MCBs and RCDs, saving space and making wiring easier.

The BG compact RCBO suitable from 6A to 32A in both B and C curve with a 30mA trip sensitivity.

Device capable of being locked on or off positions using a device lock.

Features:

- Stylish modern profile, matches other BG devices
- Type A with > 6mA Pulsed DC detection
- Single module
- Positive contact status indicator
- Available from 6 to 40A rating
- 6kA breaking capacity
- Available in B or C type
- Small compact size

Product Images



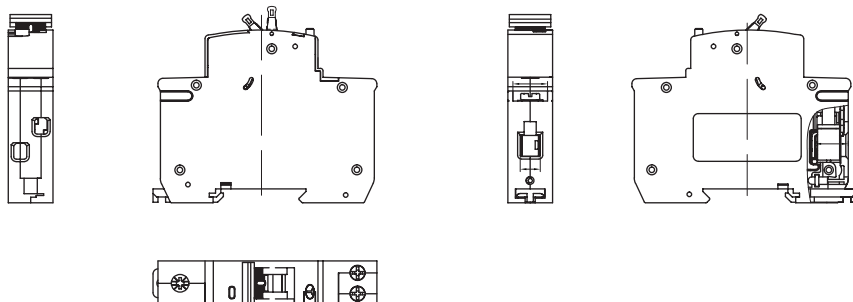
Compact RCBO Type A

Technical Specifications

| | |
|------------------------|--------------------------------------|
| Standard (s) | EN/ IEC 61009-1 |
| Max Current Rating | 6, 10, 16, 20, 32, 40A |
| Breaking Capacity | 6000A |
| Operating Voltage | 230V AC 50Hz |
| RCD Type | Type A |
| Rated Tripping Current | 30 mA |
| Number of Poles | 1P + N (1 module) |
| IP Rating | IP2XC |
| Installation | On 35mm DIN Rail |
| Terminal Capacity | 4-10mm ² |
| Terminal Torque | 2Nm |
| Endurance Operations | Electrical 10,000, Mechanical 20,000 |

Compact RCBO Type A

Line Diagrams



Packaging Information

| Cat No. | Description | Packaging Type | | | Pack Quantity | | | Barcode | | |
|----------|-------------|----------------|-----------|-----------|---------------|-----------|-----------|---------------|---------------|---------------|
| | | Product | Inner Box | Outer Box | Each | Inner Box | Outer Box | Individual | Inner Box | Outer Box |
| CUCRB6A | B Type 6A | Printed box | / | Carton | 1 | 5 | 50 | 5050765180238 | 5050765180245 | 5050765180252 |
| CUCRB10A | B Type 10A | Printed box | / | Carton | 1 | 5 | 50 | 5050765180269 | 5050765180276 | 5050765180283 |
| CUCRB16A | B Type 16A | Printed box | / | Carton | 1 | 5 | 50 | 5050765180290 | 5050765180306 | 5050765180313 |
| CUCRB20A | B Type 20A | Printed box | / | Carton | 1 | 5 | 50 | 5050765180320 | 5050765180337 | 5050765180344 |
| CUCRB32A | B Type 32A | Printed box | / | Carton | 1 | 5 | 50 | 5050765180351 | 5050765180368 | 5050765180375 |
| CUCRB40A | B Type 40A | Printed box | / | Carton | 1 | 5 | 50 | 5050765180382 | 5050765180399 | 5050765180405 |
| CUCRC6A | C Type 6A | Printed box | / | Carton | 1 | 5 | 50 | 5050765180412 | 5050765180429 | 5050765180436 |
| CUCRC10A | C Type 10A | Printed box | / | Carton | 1 | 5 | 50 | 5050765180443 | 5050765180450 | 5050765180467 |
| CUCRC16A | C Type 16A | Printed box | / | Carton | 1 | 5 | 50 | 5050765180474 | 5050765180481 | 5050765180498 |
| CUCRC20A | C Type 20A | Printed box | / | Carton | 1 | 5 | 50 | 5050765180504 | 5050765180511 | 5050765180528 |
| CUCRC32A | C Type 32A | Printed box | / | Carton | 1 | 5 | 50 | 5050765180535 | 5050765180542 | 5050765180559 |
| CUCRC40A | C Type 40A | Printed box | / | Carton | 1 | 5 | 50 | 5050765180566 | 5050765180573 | 5050765180580 |

Weights & Dimensions

| Cat No. | Description | Dimension (L x W x D) (cm) | | | Weight (Kg) | | | CBM (m ³) |
|----------|-------------|----------------------------|-------------------|--------------|-------------|-----------|-----------|-----------------------|
| | | Product | Inner Box | Outer Box | Each | Inner Box | Outer Box | |
| CUCRB6A | B Type 6A | 7.6 x 3.5 x 9.3 | 19.0 x 10.0 x 8.5 | 45 x 27 x 21 | 0.149 | 1.6 | 16.5 | 0.02 |
| CUCRB10A | B Type 10A | 7.6 x 3.5 x 9.3 | 19.0 x 10.0 x 8.5 | 45 x 27 x 21 | 0.149 | 1.6 | 16.5 | 0.02 |
| CUCRB16A | B Type 16A | 7.6 x 3.5 x 9.3 | 19.0 x 10.0 x 8.5 | 45 x 27 x 21 | 0.149 | 1.6 | 16.5 | 0.02 |
| CUCRB20A | B Type 20A | 7.6 x 3.5 x 9.3 | 19.0 x 10.0 x 8.5 | 45 x 27 x 21 | 0.149 | 1.6 | 16.5 | 0.02 |
| CUCRB32A | B Type 32A | 7.6 x 3.5 x 9.3 | 19.0 x 10.0 x 8.5 | 45 x 27 x 21 | 0.149 | 1.6 | 16.5 | 0.02 |
| CUCRB40A | B Type 40A | 7.6 x 3.5 x 9.3 | 19.0 x 10.0 x 8.5 | 45 x 27 x 21 | 0.149 | 1.6 | 16.5 | 0.02 |
| CUCRC6A | C Type 6A | 7.6 x 3.5 x 9.3 | 19.0 x 10.0 x 8.5 | 45 x 27 x 21 | 0.149 | 1.6 | 16.5 | 0.02 |
| CUCRC10A | C Type 10A | 7.6 x 3.5 x 9.3 | 19.0 x 10.0 x 8.5 | 45 x 27 x 21 | 0.149 | 1.6 | 16.5 | 0.02 |
| CUCRC16A | C Type 16A | 7.6 x 3.5 x 9.3 | 19.0 x 10.0 x 8.5 | 45 x 27 x 21 | 0.149 | 1.6 | 16.5 | 0.02 |
| CUCRC20A | C Type 20A | 7.6 x 3.5 x 9.3 | 19.0 x 10.0 x 8.5 | 45 x 27 x 21 | 0.149 | 1.6 | 16.5 | 0.02 |
| CUCRC32A | C Type 32A | 7.6 x 3.5 x 9.3 | 19.0 x 10.0 x 8.5 | 45 x 27 x 21 | 0.149 | 1.6 | 16.5 | 0.02 |
| CUCRC40A | C Type 40A | 7.6 x 3.5 x 9.3 | 19.0 x 10.0 x 8.5 | 45 x 27 x 21 | 0.149 | 1.6 | 16.5 | 0.02 |

Installation Information

To fit device onto DIN rail, fit top of device onto rail first and then push down bottom of device until retaining device clip 'clicks' and locks onto DIN rail.

When fitting please ensure Main Switch is butted firmly against 'pip' on far right hand side of the DIN rail.

To remove device, pull out retaining device clip from bottom of Switch (using flat screwdriver) and remove by lifting bottom part of Switch first.

Technical Helpline: 03300 249 279

If in doubt consult a competent electrician.