



Technical Data

Compact RCBO

Brief product description:

This Residual Current Circuit Breaker with Overload Protection provides superior protection for both people and circuits in a single module. The compact design clips onto standard 35mm DIN rail but the shorter body makes it easier to install in consumer units alongside other devices such as MCBs and RCDs, saving space and making wiring easier.

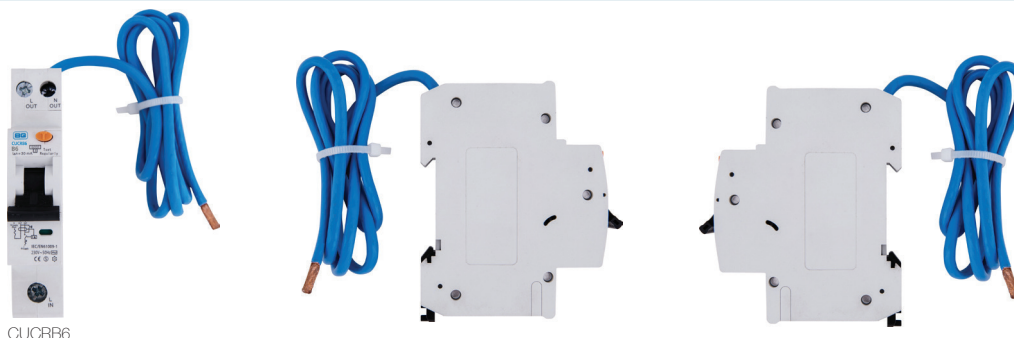
The BG compact RCBO suitable from 6A to 32A in both B and C curve with a 30mA trip sensitivity.

Device capable of being locked on or off positions using a device lock.

Features:

- Stylish modern profile, matches other BG devices
- Single module
- Positive contact status indicator
- Available from 6 to 40A rating
- 6kA breaking capacity
- Available in B or C type
- Small compact size

Product Images



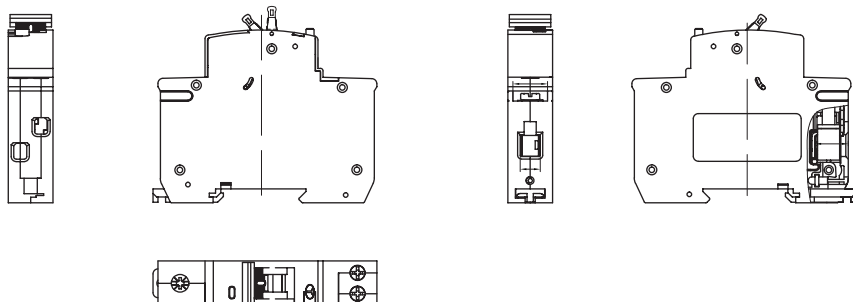
CUCRB6

Technical Specifications

Standard (s)	EN/ IEC 61009-1
Max Current Rating	6, 10, 16, 20, 32, 40A
Breaking Capacity	6000A
Operating Voltage	230V AC 50Hz
RCD Type	Type AC
Rated Tripping Current	30 mA
Number of Poles	1P + N (1 module)
IP Rating	IP2XC
Installation	On 35mm DIN Rail
Terminal Capacity	25mm ² L / in - 4-10mm ² L / N out
Terminal Torque	2Nm L / in - 1.2Nm L / N out
Endurance Operations	Electrical 10,000, Mechanical 20,000

Compact RCBO

Line Diagrams



Packaging Information

Cat No.	Description	Packaging Type			Pack Quantity			Barcode		
		Product	Inner Box	Outer Box	Each	Inner Box	Outer Box	Individual	Inner Box	Outer Box
CUCRB6	B Type 6A	Printed box	/	Carton	1	5	50	5050765155229	5050765155342	5050765155465
CUCRB10	B Type 10A	Printed box	/	Carton	1	5	50	5050765155236	5050765155359	5050765155472
CUCRB16	B Type 16A	Printed box	/	Carton	1	5	50	5050765155243	5050765155366	5050765155489
CUCRB20	B Type 20A	Printed box	/	Carton	1	5	50	5050765155250	5050765155373	5050765155496
CUCRB32	B Type 32A	Printed box	/	Carton	1	5	50	5050765155267	5050765155380	5050765155502
CUCRB40	B Type 40A	Printed box	/	Carton	1	5	50	5050765155274	5050765155397	5050765155519
CUCRC6	C Type 6A	Printed box	/	Carton	1	5	50	5050765155281	5050765155403	5050765155526
CUCRC10	C Type 10A	Printed box	/	Carton	1	5	50	5050765155298	5050765155410	5050765155533
CUCRC16	C Type 16A	Printed box	/	Carton	1	5	50	5050765155304	5050765155427	5050765155540
CUCRC20	C Type 20A	Printed box	/	Carton	1	5	50	5050765155311	5050765155434	5050765155557
CUCRC32	C Type 32A	Printed box	/	Carton	1	5	50	5050765155328	5050765155441	5050765155564
CUCRC40	C Type 40A	Printed box	/	Carton	1	5	50	5050765155335	5050765155458	5050765155571

Weights & Dimensions

Cat No.	Description	Dimension (L x W x D) (cm)			Weight (Kg)			CBM (m ³)
		Product	Inner Box	Outer Box	Each	Inner Box	Outer Box	
CUCRB6	B Type 6A	7.6 x 3.5 x 9.3	19.0 x 10.0 x 8.5	45 x 27 x 21	0.149	1.6	16.5	0.02
CUCRB10	B Type 10A	7.6 x 3.5 x 9.3	19.0 x 10.0 x 8.5	45 x 27 x 21	0.149	1.6	16.5	0.02
CUCRB16	B Type 16A	7.6 x 3.5 x 9.3	19.0 x 10.0 x 8.5	45 x 27 x 21	0.149	1.6	16.5	0.02
CUCRB20	B Type 20A	7.6 x 3.5 x 9.3	19.0 x 10.0 x 8.5	45 x 27 x 21	0.149	1.6	16.5	0.02
CUCRB32	B Type 32A	7.6 x 3.5 x 9.3	19.0 x 10.0 x 8.5	45 x 27 x 21	0.149	1.6	16.5	0.02
CUCRB40	B Type 40A	7.6 x 3.5 x 9.3	19.0 x 10.0 x 8.5	45 x 27 x 21	0.149	1.6	16.5	0.02
CUCRC6	C Type 6A	7.6 x 3.5 x 9.3	19.0 x 10.0 x 8.5	45 x 27 x 21	0.149	1.6	16.5	0.02
CUCRC10	C Type 10A	7.6 x 3.5 x 9.3	19.0 x 10.0 x 8.5	45 x 27 x 21	0.149	1.6	16.5	0.02
CUCRC16	C Type 16A	7.6 x 3.5 x 9.3	19.0 x 10.0 x 8.5	45 x 27 x 21	0.149	1.6	16.5	0.02
CUCRC20	C Type 20A	7.6 x 3.5 x 9.3	19.0 x 10.0 x 8.5	45 x 27 x 21	0.149	1.6	16.5	0.02
CUCRC32	C Type 32A	7.6 x 3.5 x 9.3	19.0 x 10.0 x 8.5	45 x 27 x 21	0.149	1.6	16.5	0.02
CUCRC40	C Type 40A	7.6 x 3.5 x 9.3	19.0 x 10.0 x 8.5	45 x 27 x 21	0.149	1.6	16.5	0.02

Installation Information

To fit device onto DIN rail, fit top of device onto rail first and then push down bottom of device until retaining device clip 'clicks' and locks onto DIN rail.

When fitting please ensure Main Switch is butted firmly against 'pip' on far right hand side of the DIN rail.

To remove device, pull out retaining device clip from bottom of Switch (using flat screwdriver) and remove by lifting bottom part of Switch first.

Technical Helpline: 03300 249 279

If in doubt consult a competent electrician.